

LOUVRE100

Louvre100 aesthetically hides equipment, ductwork and pipework



DESIGN

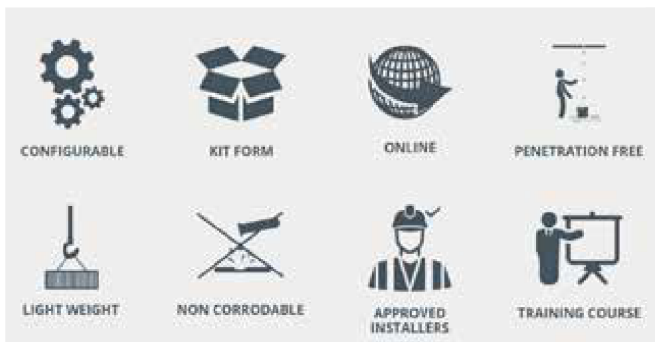
- Can be fitted to any sides of Series 1, 2 or 3 Platforms and to any 600mm increment from the corners.
- Prestigious louvre profile.
- All aluminium components with stainless steel fixings – backed by a 20 year warranty.
- Standard Heights: 1200mm, 1600mm, 2000mm & 2400mm
- Aluminium louvres 80mm placed at 100mm horizontal repeat pitch. Can be applied to top screen section only for parapet situations. Louvres available in inverted orientation to screen direct line of sight from a low angle if required.
- Lightweight 8kg/m²
- Free area: 75%
- Complies to BS EN 516 2006 and BS EN 1090-3 2008

EFFICIENCY

- Kit form allows them to be assembled by a trade already on site with our easy to follow installation manual.
- Take the stress out of your project with our nationwide approved installer network.
- The lightweight aluminium design makes it easy for carrying, craning and assembly.

SPECIFY CONFIGURED PLATFORMS

- Provide Louvre100 where aesthetically required to screen off equipment, ductwork, and pipework.



OPTIONAL ACCESS GAP OR GATE

- An access gap of any 600mm increment wide is configurable in the Louvre100 screen.
- A Self Closing Access Door 900mm wide is configurable in the Louvre100 screen.

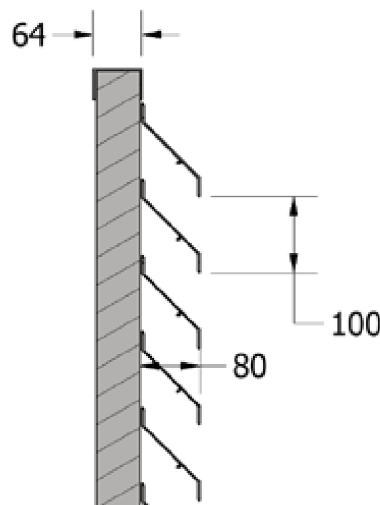
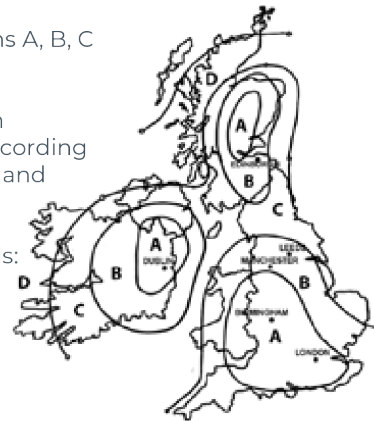
WIND LOADS

Louvre100 is suitable for regions A, B, C & D.

Pre-engineered factors: Terrain category, area wind velocity according to EuroCode 1, building height and screen height.

Basic mean hourly wind speeds:

- Region A - 22m/s
- Region B - 24m/s
- Region C - 25m/s
- Region D - 27m/s



SPECIFICATION

- Louvre blade colours available in all RAL and BS colour ranges with polyester powder coat to 40 microns thickness.
- Materials: Grade 6063 T6 aluminium & A2 stainless steel fixings.



"the power is at your fingertips"

Office: +44 (0) 113 276 0450
Mobile: +44 (0) 738 503 1263

17 Millshaw Park Avenue,
Leeds, UK, LS11 0LR

customerservice@configuredplatforms.co.uk
rick@configuredplatforms.co.uk